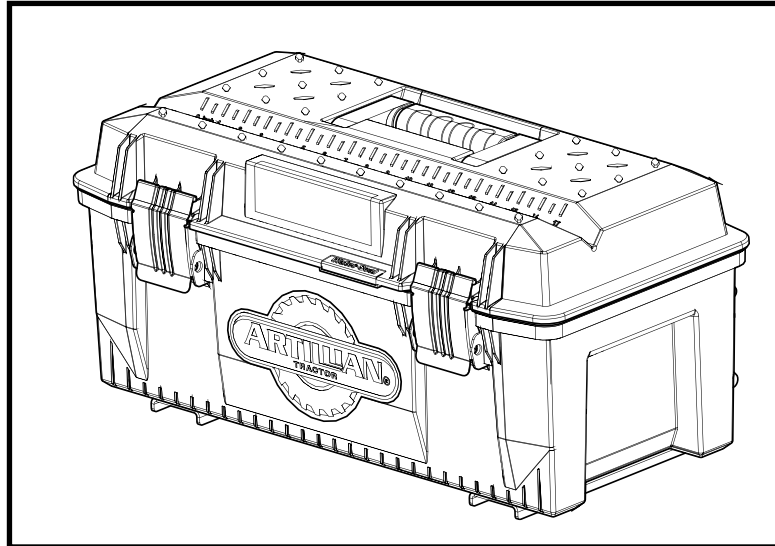




**ARTILLIAN ROPS MOUNTED
TOOLBOX, MEDIUM, 23"X12"X10.5"
P/N: 1RMTBXS**

For use on the Artillian ROPS Mounted Tool Bar (P/N: 1RMTB) (sold separately)



The Large Artillian ROPS Mounted Toolbox is a plastic storage container with an internal tote tray, storage dividers, and 10 gauge steel support brackets. The box is rated for 30 pounds. Integrated *Cam Lever Latches* securely lock onto the Artillian ROPS Mounted Tool Bar (sold separately) in seconds without the use of tools.

Bring the box to where the tools are, fill it up, and carry it back to your tractor. Drop it onto the Tool Bar, cam over the latches, and you are on your way!

The quick release latches allow for easy removal of the toolbox for storage or replacement with one of the many other Artillian ROPS Mounted Tool Bar Accessories.

Approximate Installation Time	Approximate Product Specifications
Experienced Dealer Technician – 2 Minutes	Overall dimensions: 23" L x 12" W x 10-1/2" H
Average Dealer Technician – 2 Minutes	Weight: 12.5 lbs. (not including mounting bar)
Do-It-Yourself – 2 Minutes	Capacity: 30 lbs.

⚠ CAUTION *Do not exceed the rated capacity for the Toolbox. Doing so may result in damage to the Toolbox and/or the Tool Bar and will void the warranty.*

The contents of this envelope are the property of the owner. Leave with the owner when installation is complete.

All images shown are for illustration purposes only. Actual product may vary due to product enhancement.

FEATURES AND OPERATION

ATTACH TO MOUNTING BAR:

1. Figure 1 shows a toolbox installed onto an Artillian ROPS Mounted Tool Bar.
2. To install the toolbox, rotate both cam levers UP, then place onto the Tool Bar. See fig. 2.

Note: if the Cam Lever Latches do not sit flush on the Tool Bar, one of the clamp plates may not have been fully open. Simply remove the toolbox, rotate the cam levers up and tilt the toolbox away from you to ensure the clamp plates are fully open, then reinstall on the Tool Bar.

3. To secure the toolbox to the Tool Bar, rotate both cam levers DOWN until they cam over. See fig. 3.

NOTE: For additional security, the toolbox can be locked to the Tool Bar by inserting a padlock through the holes in the mounting bracket where shown in fig. 3.

4. To remove the toolbox from the Tool Bar, rotate both cam levers UP, then lift the toolbox.

FEATURES AND OPERATION

1. For optimal functionality, when the cam lever latches are all the way up, they ensure that the cam plates are fully retracted. The cam lever latches are factory assembled with some friction between the cam lever and the housing. This ensures the cam lever doesn't accidentally flip closed while the user attempts to install it on the bar. If the cam levers loosen up over time, simply tighten the nut and bolt that secure the lever to the housing until the desired resistance on the cam lever has been achieved.
2. An extra set of holes (one per side) have been provided on the rear of the Toolbox if you want to re-locate the cam lever latches lower than the factory installed location.

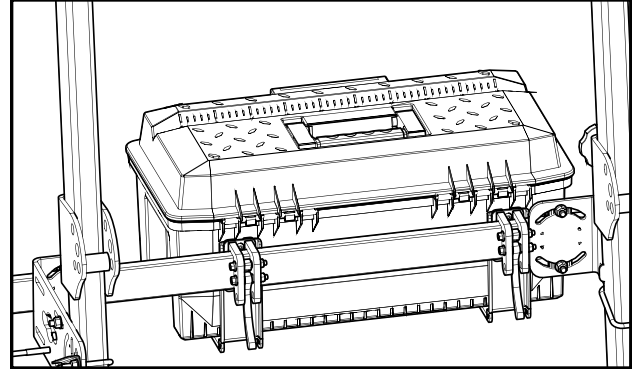


Fig. 1 (attaching a tool box)

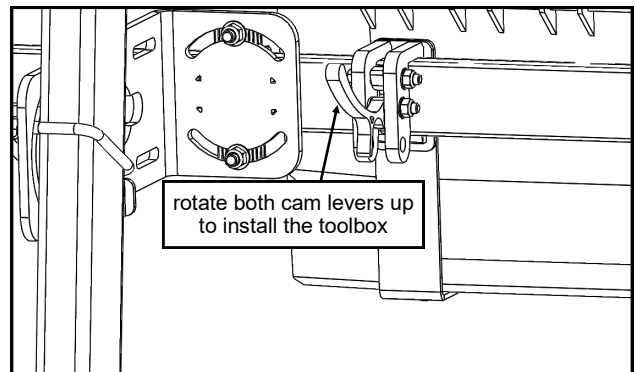


Fig. 2 (cam lever in the open position)

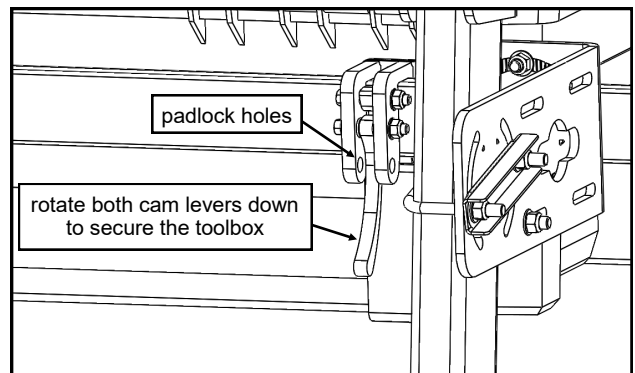
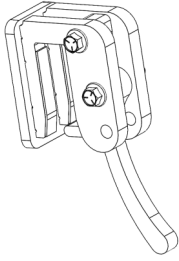


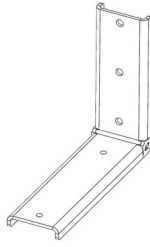
Fig. 3 (cam lever in the closed position)

SERVICE PARTS:

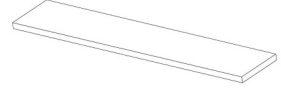
CAM LEVER LATCH
P/N: 8SV-110-00146 (QTY.: ONE)



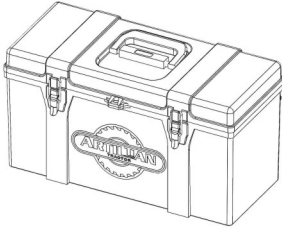
TOOLBOX SUPPORT BRACKET, SMALL
P/N: 8SV-WA-00364 (QTY.: 2)



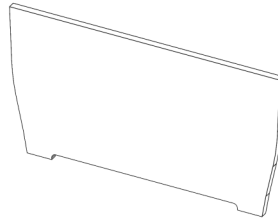
SAFETY WALK ADHESIVE STRIPS
P/N: 9SV-9PR62-375 (QTY.: 12)



TOOLBOX, DRILLED, 20"X10"X11"
P/N: 8SV-9TB-02A

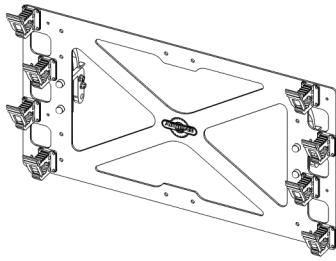


TOOLBOX INSERT, MEDIUM, RMTB
P/N: 8SV-P-00194 (QTY.: ONE)

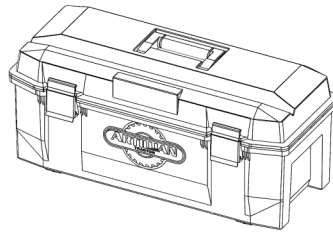


OTHER ACCESSORIES:

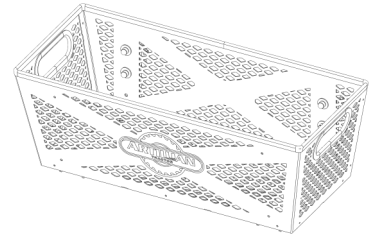
ROPS MOUNTED TOOL RACK
P/N: 1RMTRK



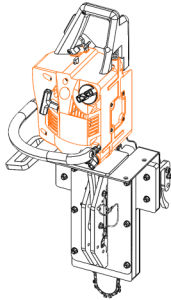
ROPS MOUNTED TOOLBOX, X-LARGE
P/N: 1RMTBXL



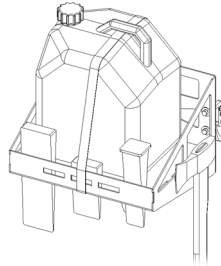
ROPS MOUNTED TOOL BASKET
P/N: 1RMTBSK



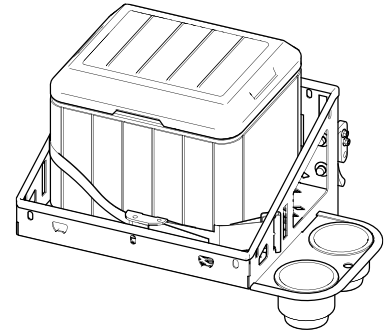
ROPS MOUNTED CHAINSAW MOUNT
P/N: 1RMCSM
(chainsaw shown for illustration purposes)



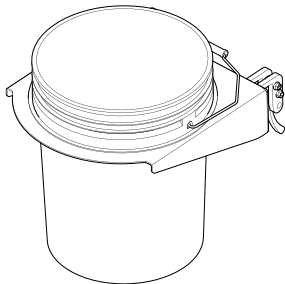
ROPS MOUNTED FUEL CAN HOLDER
P/N: 1RMFCH
(Fuel can, wedges, & maul shown for illustration purposes)



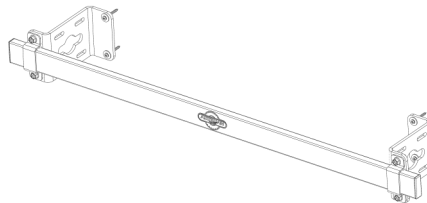
ROPS MOUNTED BEVERAGE COOLER
HOLDER - P/N: 1RMBCH
(Cooler shown for illustration purposes)



ROPS MOUNTED 5-GALLON BUCKET
HOLDER - P/N: 1RM5GBH
(Bucket shown for illustration purposes)



TOOL BAR WALL MOUNT
P/N: 1RMTBWM



MORE ACCESSORIES COMING SOON!