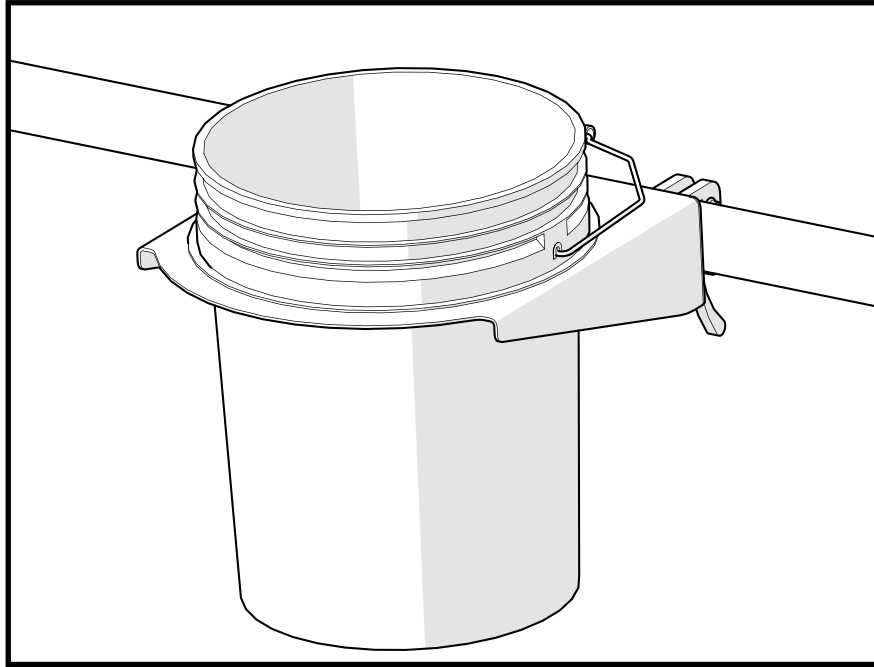




**ARTILLIAN ROPS MOUNTED  
5 GALLON BUCKET HOLDER  
P/N: 1RM5GBH**

For use on the Artillian ROPS Mounted Tool Bar (P/N: 1RMTB) (sold separately)



The Artillian ROPS Mounted 5-Gallon Bucket Holder is designed to fit this standard and widely used type of container. Useful for picking up and storing yard debris, trash, and other items encountered when mowing and landscaping. When the job is done, lift the bucket out and dump in the trash. Many other uses possible.

Made from laser-cut & powder coated 14GA steel, it will stand up to the elements and everyday use. Rated for 40 lbs.

The quick release *Cam Lever Latches* allow for easy removal of the Bucket Holder for storage or replacement with one of the many other Artillian ROPS Mounted Tool Bar Accessories.

Approximate Installation Time
Experienced Dealer Technician – 2 Minutes
Average Dealer Technician – 2 Minutes
Do-It-Yourself – 2 Minutes

Approximate Product Specifications
Dimensions: 19" L x 13" W x 6.5" H
Weight: 7.5 lbs. (not including mounting bar)
Capacity: 40 lbs.



**CAUTION**

*Do not exceed the rated capacity for the Bucket Holder. Doing so may result in damage to the Holder and/or the Tool Bar and will void the warranty.*

The contents of this envelope are the property of the owner. Leave with the owner when installation is complete.

# FEATURES AND OPERATION

## ATTACH TO MOUNTING BAR:

1. Figure 1 shows a 5-gallon bucket holder installed onto an Artillian ROPS Mounted Tool Bar.
2. To install the bucket holder, rotate both cam levers UP, then place onto the Tool Bar. See fig. 2.

*Note: if the Cam Lever Latches do not sit flush on the Tool Bar, one of the clamp plates may not have been fully open. Simply remove the bucket holder, rotate the cam levers up and tilt the bucket holder away from you to ensure the clamp plates are fully open, then reinstall on the Tool Bar.*

3. To secure the bucket holder to the Tool Bar, rotate both cam levers DOWN until they cam over. See fig. 3.

*NOTE: For additional security, the bucket holder can be locked to the Tool Bar by inserting a padlock through the holes in the mounting bracket where shown in fig. 3.*

4. To remove the bucket holder from the Tool Bar, rotate both cam levers UP, then lift the bucket holder.

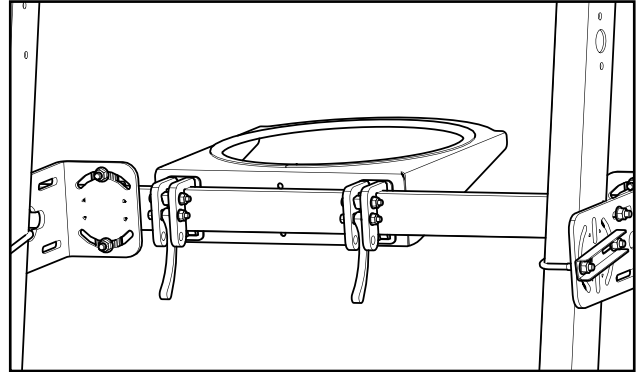


Fig. 1 (attaching the bucket holder)

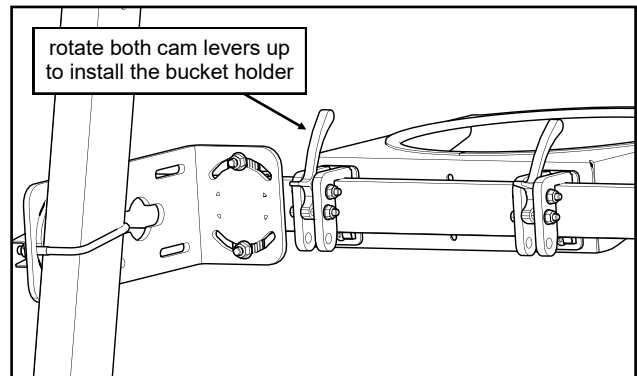


Fig. 2 (cam lever in the open position)

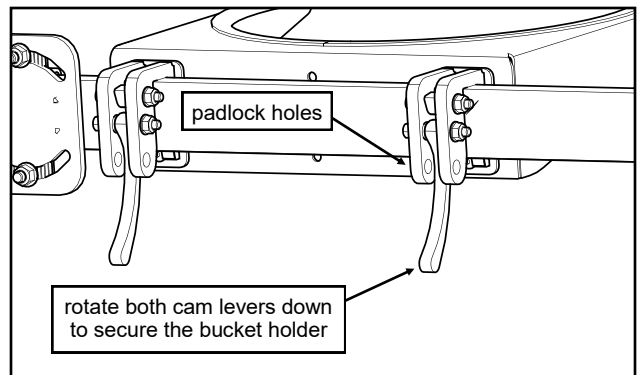


Fig. 3 (cam lever in the closed position)

## FEATURES AND OPERATION

1. For optimal functionality, when the cam lever latches are all the way up, they ensure that the cam plates are fully retracted. The cam lever latches are factory assembled with some friction between the cam lever and the housing. This ensures the cam lever doesn't accidentally flip closed while the user attempts to install it on the bar. If the cam levers loosen up over time, simply tighten the nut and bolt that secure the lever to the housing until the desired resistance on the cam lever has been achieved.
2. Holes are provided in the center of the bucket holder to allow a cam lever latch to be removed from one side and bolted in the center to allow the bucket holder to overhang the tool bar on one side, if desired. See fig. 4.

Note that the tool bar may need to be shifted to one side to allow the bucket holder to overhang.

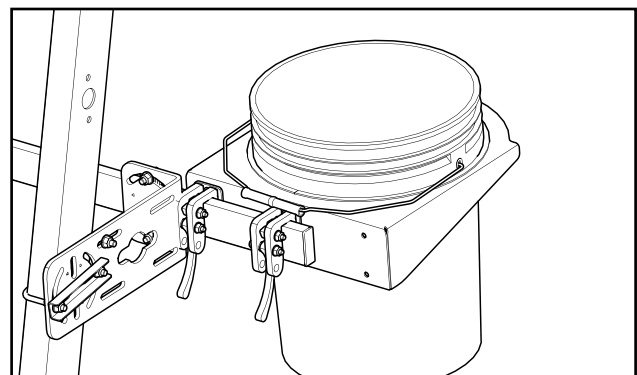
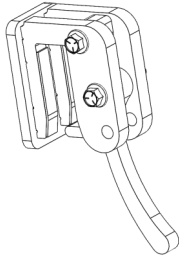


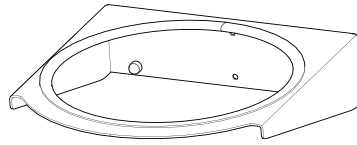
Fig. 4 (bucket holder set to overhang)

# SERVICE PARTS:

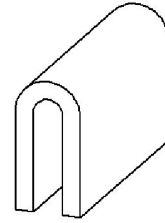
CAM LEVER LATCH  
P/N: 8SV-110-00146 (QTY.: ONE)



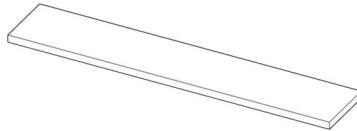
BUCKET HOLDER (with Trim Lok)  
P/N: 8SV-113-00224



TRIM LOK (10 feet long)  
P/N: 9SV-PRO1-10

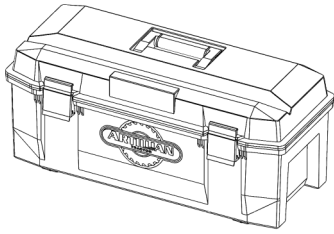


SAFETY WALK ADHESIVE STRIPS  
P/N: 9SV-9PR62-375 (QTY.: 12)

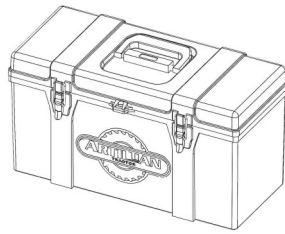


# OTHER ACCESSORIES:

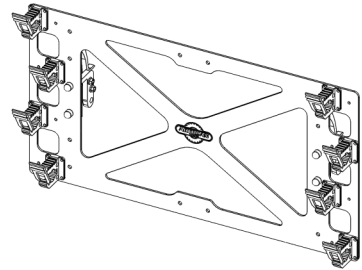
ROPS MOUNTED TOOLBOX, X-LARGE  
P/N: 1RMTBXL



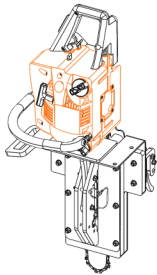
ROPS MOUNTED TOOLBOX, LARGE  
P/N: 1RMTBXS



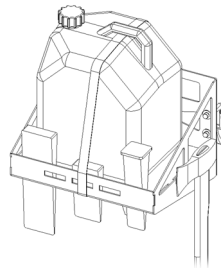
ROPS MOUNTED TOOL RACK  
P/N: 1RMTRK



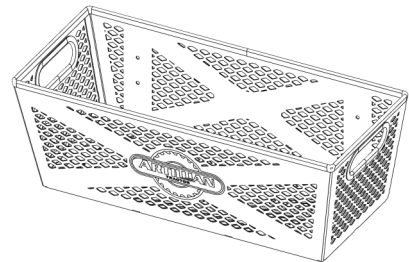
ROPS MOUNTED CHAINSAW MOUNT  
P/N: 1RMCSM  
(chainsaw shown for illustration purposes)



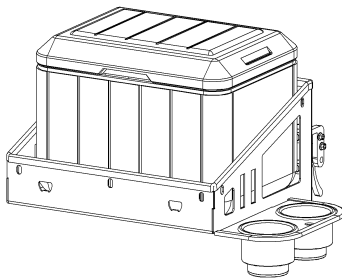
ROPS MOUNTED FUEL CAN HOLDER  
P/N: 1RMFCH  
(Fuel can, wedges, & maul shown for illustration purposes)



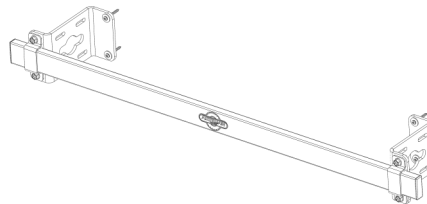
ROPS MOUNTED TOOL BASKET  
P/N: 1RMTBSK



BEVERAGE COOLER HOLDER  
P/N: 1RMBCH  
(cooler shown for illustration purposes)



TOOL BAR WALL MOUNT  
P/N: 1RMTBWM



## MORE ACCESSORIES COMING SOON!