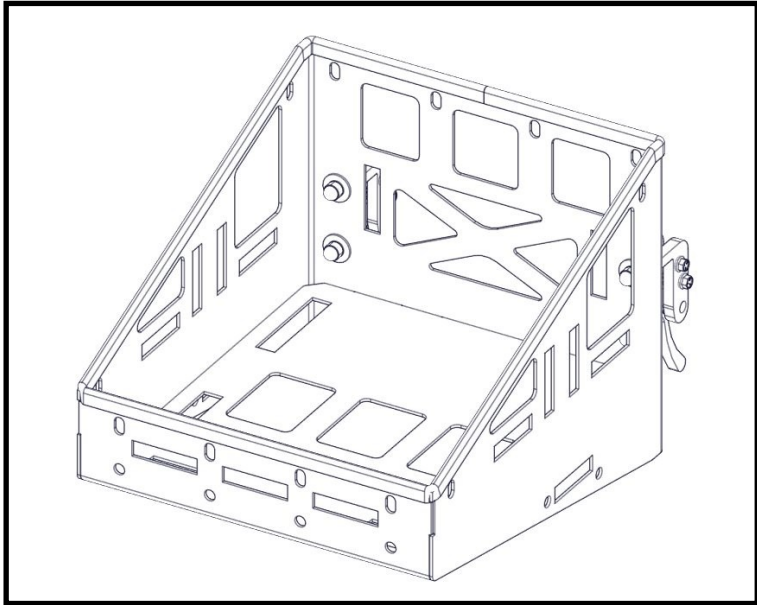




**ARTILLIAN ROPS MOUNTED
FUEL CAN HOLDER
P/N: 1RMFCH**

For use on Artillian ROPS Mounted Tool Bar (P/N: 1RMTB) (sold separately)



Comes with 15ft long x 1 inch wide E-Track Cam-buckle Strap (not shown)

The Artillian ROPS Mounted Fuel Can Holder is a convenient steel tray for carrying fuel cans. An included cam-buckle strap with E-track fittings securely holds a 2-1/2 gallon fuel can and a 1 gallon bar oil can in place and allows for quick removal on the go. Many E-track locking positions and additional bungee cord slots suit various fuel can sizes and orientations. Provisions for carrying a maul or sledge hammer and several wedges make this the perfect accessory for a day in the woods felling trees.

The quick release *Cam Lever Latches* allow for easy removal of the Fuel Can Holder for storage or replacement with one of the many other Artillian ROPS Mounted Tool Bar Accessories.

Approximate Set-Up Time
Experienced Dealer Technician – 15 Minutes
Average Dealer Technician – 15 Minutes
Do-It-Yourself – 15 Minutes

Approximate Product Specifications
Overall dim's: 13-1/2" wide x 15-1/2" deep x 11-5/8" high
Weight: 21 lbs. (not including mounting bar)
Capacity: 45 lbs.



CAUTION

Do not exceed the rated capacity for the Fuel Can Holder. Doing so may result in damage to the Fuel Can Holder and/or the Tool Bar and will void the warranty.

The contents of this envelope are the property of the owner. Leave with the owner when installation is complete.

SET-UP

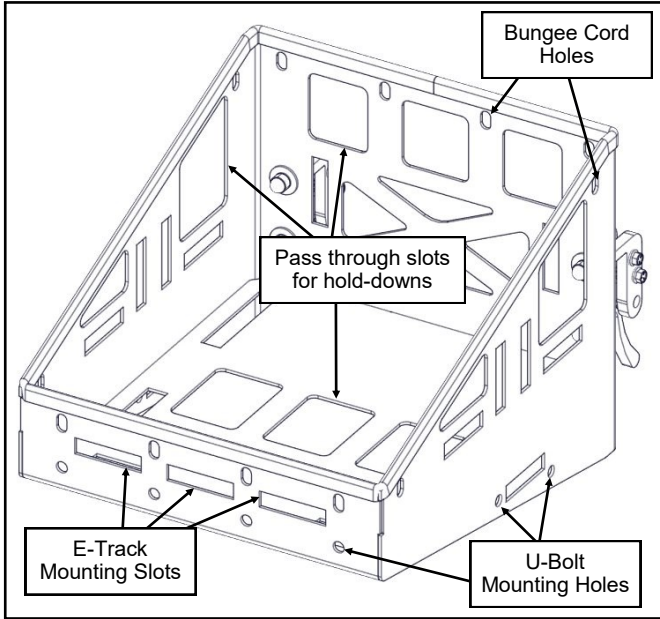


Fig. 1a (mounting point option 1)

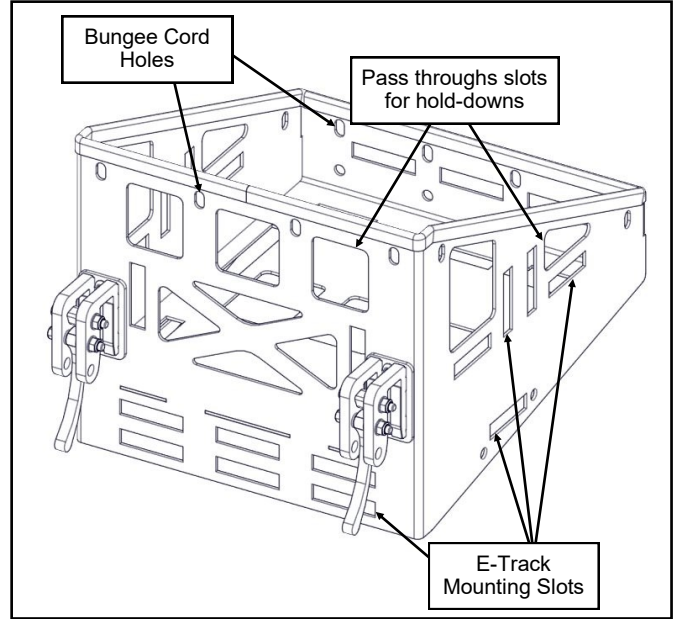


Fig. 1b (mounting point option 2)

SET-UP

1. The design features include many E-Track slots, bungee cord holes, splitting/felling wedge slots, several pass through slots for hold-down straps and various mounting hole locations for a U-bolt. See figs. 1a, b, & c.
2. Based on the size of your fuel and bar oil cans, locate the best E-track slots that will securely hold these items. Install the fixed end of the hold-down strap first. To install the E-track fitting, pull the release lever towards the cam buckle, hook the release lever end of the fitting into the mount and then insert the other end. Release the lever. See figs. 2a & b.

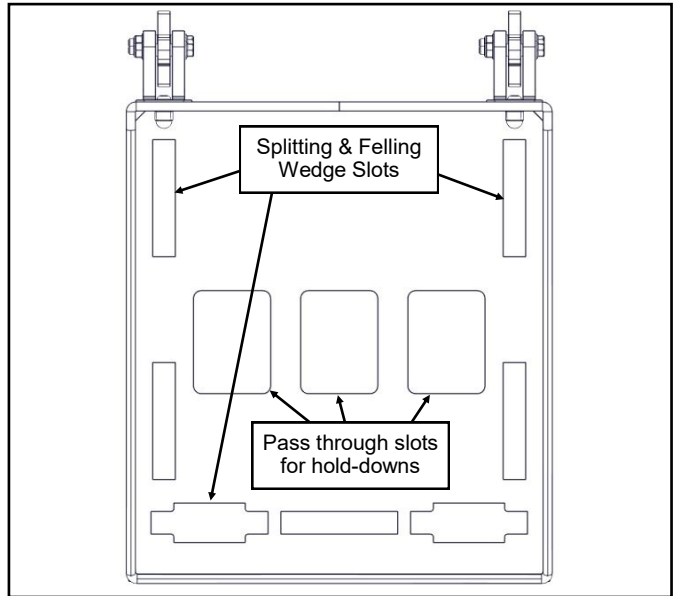


Fig. 1c (wedge mount locations)

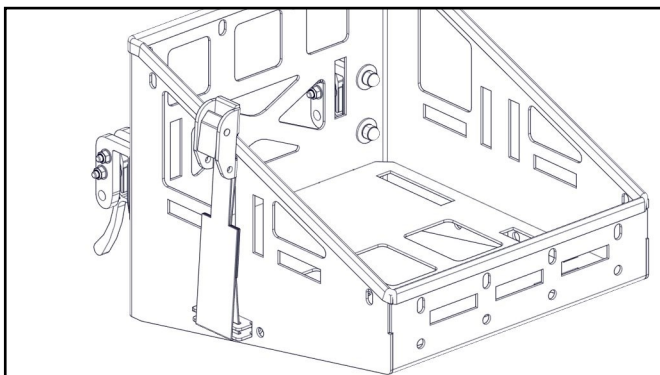


Fig. 2b (fixed end of hold-down strap installed)

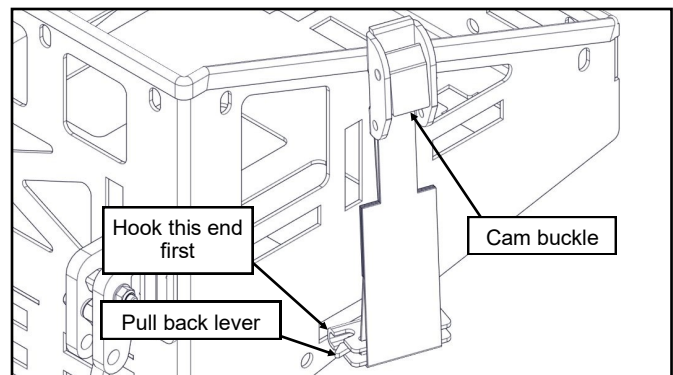


Fig. 2a (install fixed end of hold-down strap)

SET-UP

SET-UP (cont'd.)

3. Install the adjustable length E-track cam-buckle strap in the desired E-track slot location. Run the strap through each of the fuel cans' handles as shown in fig. 3.
4. Install the adjustable end of strap into the fixed end's cam buckle and tighten strap down. Once fully tightened, cut the excess strap (if desired) using a pair of scissors.



Remove the fuel can and bar oil from the fuel can holder prior to the next step.

5. Once the strap is cut to length, use a heat gun or lighter to singe the cut end of the strap to make sure that the strap does not fray. See fig. 5.

Note: One E-track cam-buckle strap is provided in the kit. However, the mount was designed with many E-track and bungee cord holes to allow the user the option to add more straps or bungee cords, as desired.

6. A U-Bolt and (4) 3/8-16 flange hex nuts are included in this kit. These are for carrying a sledgehammer or maul. There are a set of holes for this U-bolt on either side of the mount and (4) holes in the front. The front hole pattern allows for 3 possible U-bolt mounting positions. Loosely install the U-bolt (in the desired location) and nuts per fig. 6a, then hand tighten. Per fig. 6b, install a sledgehammer or maul into U-bolt. Make required adjustments and tighten down the nuts. *Note: make sure that the handle for the tool clears the rear tire and 3-point hitch arms.*

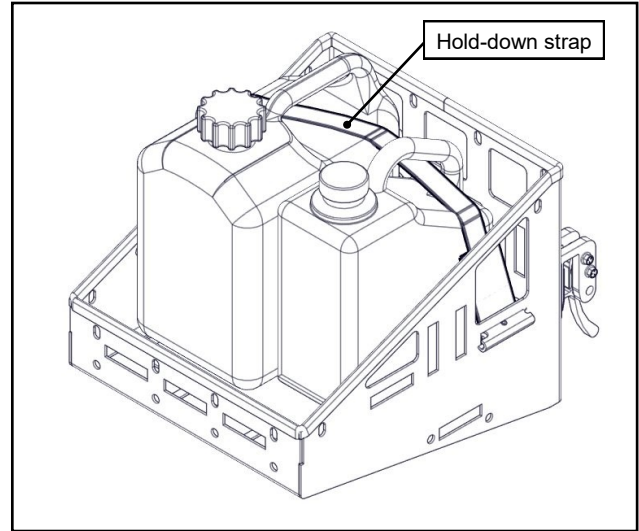


Fig. 3 (install adjustable length hold-down strap end)

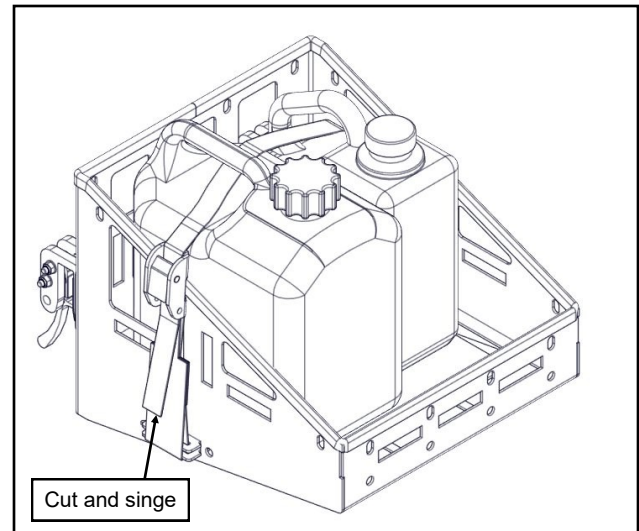


Fig. 5 (cut adjustable length hold-down strap end)

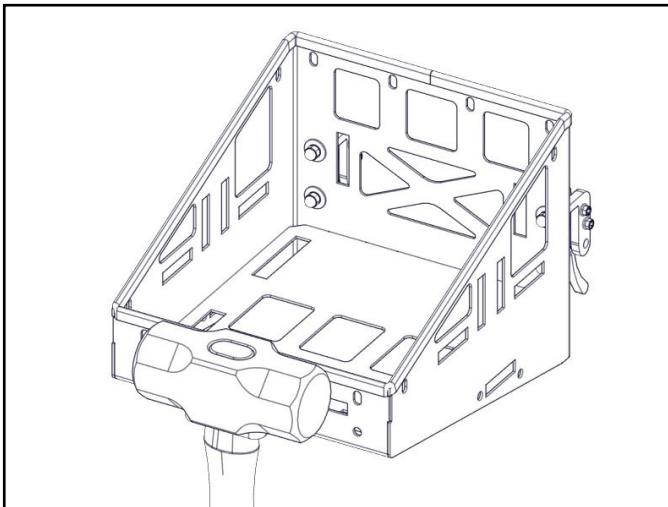


Fig. 6b (adjust U-bolt to fit sledgehammer or maul)

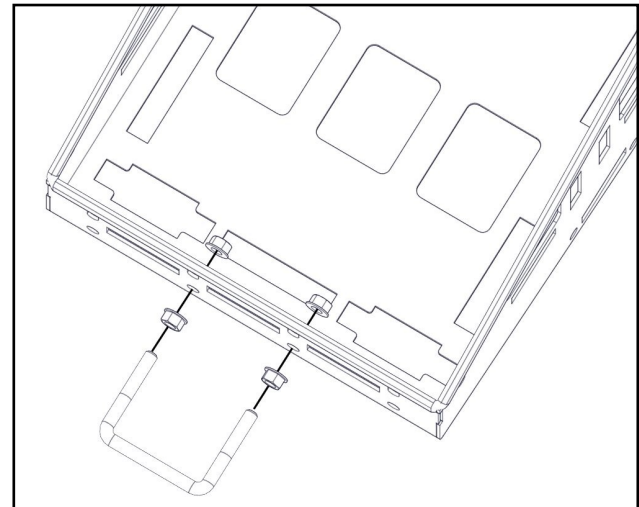


Fig. 6a (install U-bolt and flange nuts for maul)

ATTACHING AND OPERATION

ATTACH TO MOUNTING BAR:

Note: The Artillian ROPS Mounted Toolbar is designed to hold multiple accessories at one time. If placed appropriately, up to 3 separate accessories may be possible. For example, the Chainsaw Mount, Fuel Can Holder, and Beverage Cooler Holder were designed to fit on the toolbar simultaneously.

7. Fig. 7 shows a fuel can holder installed onto an Artillian ROPS Mounted Tool Bar.
8. To install the fuel can holder, rotate both cam levers UP, then place onto the Tool Bar. See fig. 8.

Note: if the Cam Lever Latches do not sit flush on the Tool Bar, one of the clamp plates may not have been fully open. Simply remove the fuel can holder, rotate the cam levers up and tilt the fuel can holder away from you to ensure the clamp plates are fully open, then reinstall on the Tool Bar.

9. To secure the fuel can holder to the Tool Bar, rotate both cam levers DOWN until they cam over. See fig. 9.

NOTE: For additional security, the fuel can holder can be locked to the Tool Bar by inserting a padlock through the holes in the mounting bracket where shown in fig. 9.

10. To remove the fuel can holder from the Tool Bar, rotate both cam levers UP, then lift the fuel can holder.

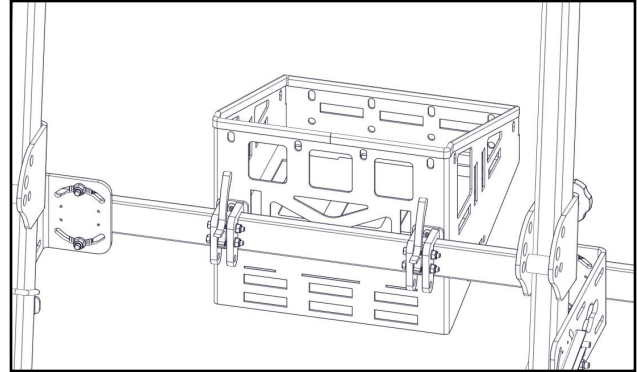


Fig. 7 (attaching a fuel can holder)

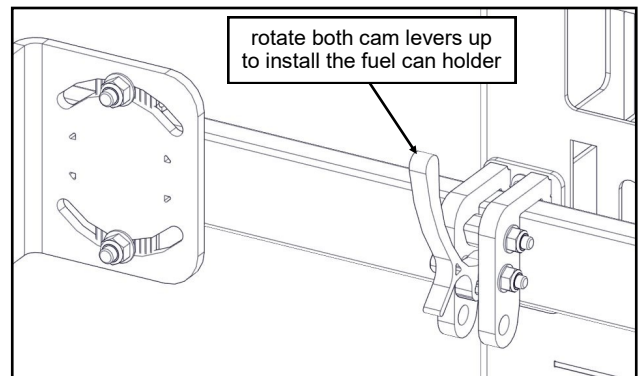


Fig. 8 (cam lever in the open position)

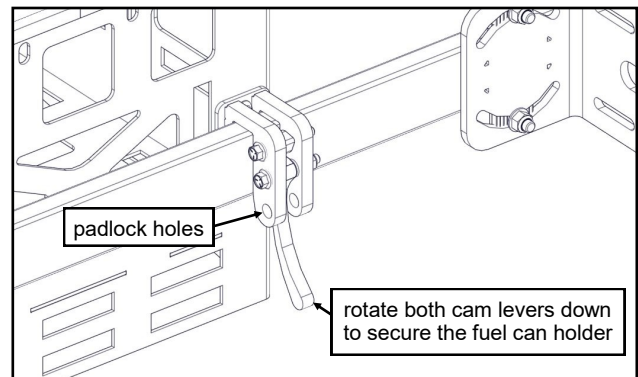


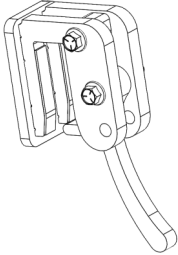
Fig. 9 (cam lever in the closed position)

OPERATION

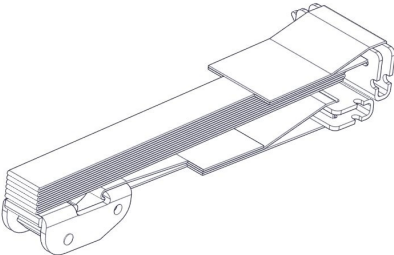
11. For optimal functionality, when the cam lever latches are all the way up, they ensure that the cam plates are fully retracted. The cam lever latches are factory assembled with some friction between the cam lever and the housing. This ensures the cam lever doesn't accidentally flip closed while the user attempts to install it on the bar. If the cam levers loosen up over time, simply tighten the nut and bolt that secure the lever to the housing until the desired resistance on the cam lever has been achieved.

SERVICE PARTS:

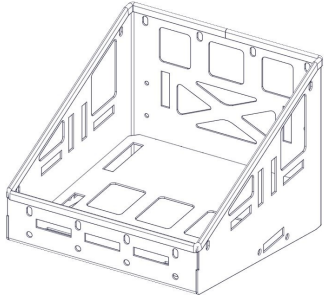
CAM LEVER LATCH
P/N: 8SV-110-00146 (QTY.: ONE)



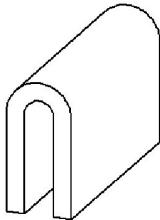
1" WIDE HOLD-DOWN, 15' LG, BLACK
P/N: 9SV-9BC06 (QTY.: ONE)



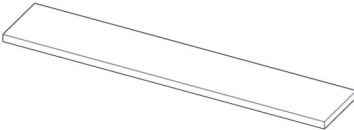
FUEL CAN HOLDER (with Trim Lok)
P/N: 8SV-WA-00368 (QTY.: ONE)



TRIM LOK (10 feet long)
P/N: 9SV-PRO1-10

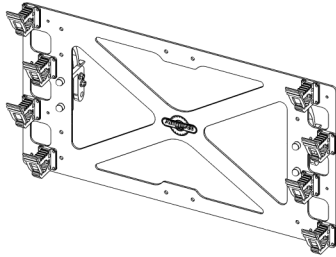


SAFETY WALK ADHESIVE STRIPS
P/N: 9SV-9PR62-375 (QTY.: 12)

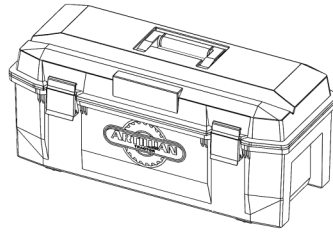


OTHER ACCESSORIES:

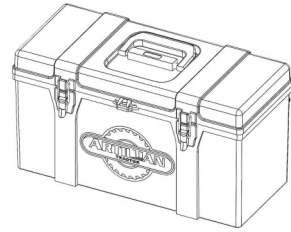
ROPS MOUNTED TOOL RACK
P/N: 1RMTRK



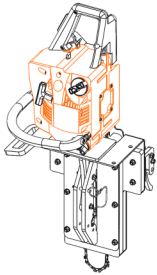
ROPS MOUNTED TOOLBOX, X-LARGE
P/N: 1RMTBXL



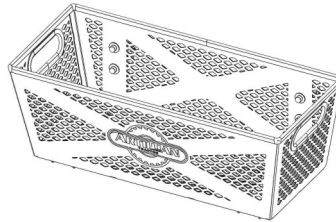
ROPS MOUNTED TOOLBOX, LARGE
P/N: 1RMTBXS



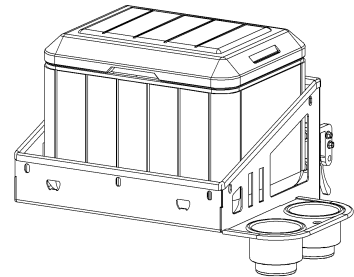
ROPS MOUNTED CHAINSAW MOUNT
P/N: 1RMCSM
(chainsaw shown for illustration purposes)



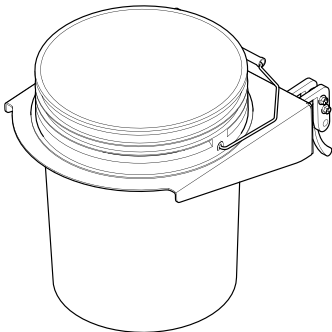
ROPS MOUNTED TOOL BASKET
P/N: 1RMTBSK



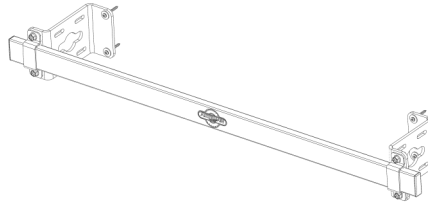
BEVERAGE COOLER HOLDER
P/N: 1RMBCH
(cooler shown for illustration purposes)



ROPS MOUNTED 5-GALLON BUCKET
HOLDER - P/N: 1RM5GBH
(Bucket shown for illustration purposes)



TOOL BAR WALL MOUNT
P/N: 1RMTBWM



MORE ACCESSORIES COMING SOON!