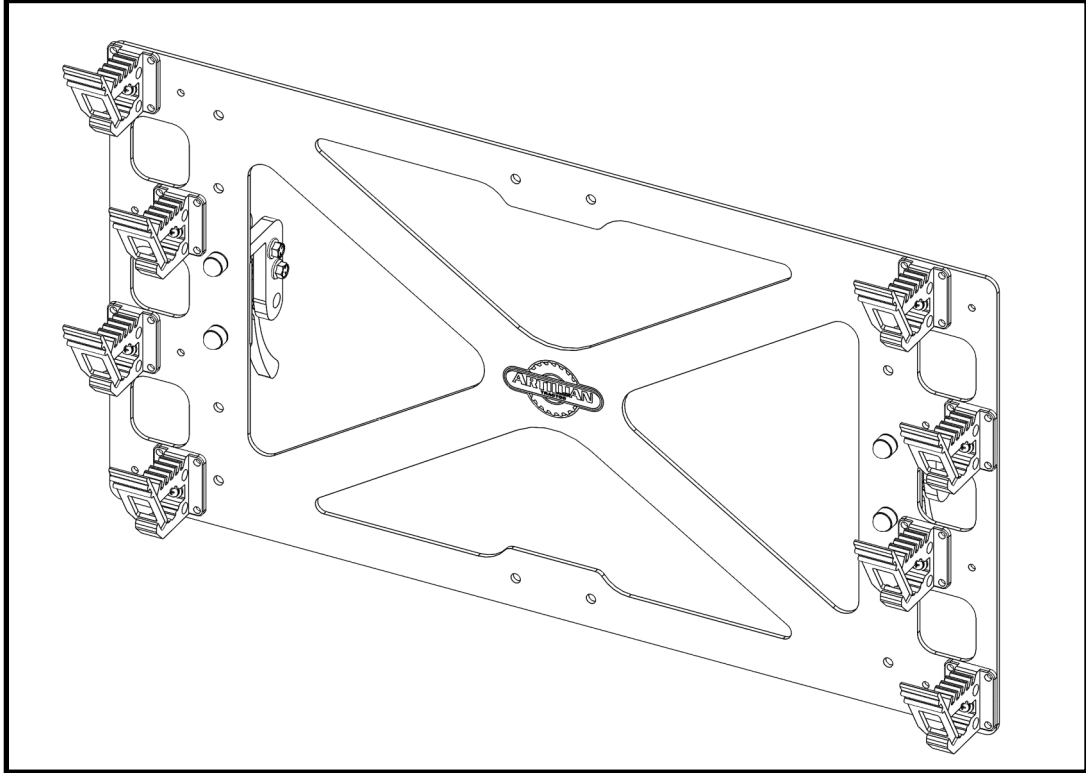




ARTILLIAN ROPS MOUNTED TOOL RACK P/N: 1RMTRK

For use on the Artillian ROPS Mounted Tool Bar (P/N: 1RMTB) (sold separately)



The Artillian ROPS Mounted Tool Rack is rated for 40 lbs and is capable of holding up to (4) long handle tools at a time. The mounting plate is made from powder coated 10 gauge steel and incorporates (8) rubber clamps. These clamps hold tools firmly, while providing for fast installation or removal.

Integrated *Cam Lever Latches* securely lock onto the Artillian ROPS Mounted Tool Bar (sold separately) in seconds without the use of tools. These latches can be repositioned to the long sides of the rack, allowing the user to orient the rack vertically, if desired.

Approximate Installation Time
Experienced Dealer Technician – 2 Minutes
Average Dealer Technician – 2 Minutes
Do-It-Yourself – 2 Minutes

Approximate Product Specifications
Overall dimensions: 14.05" high x 26.50" wide
Weight: 11.26 lbs. (not including mounting bar)
Capacity: 40 lbs.



CAUTION

Do not exceed the rated capacity for the Tool Rack. Doing so may result in damage to the Tool Rack and/or the Tool Bar and will void the warranty.

The contents of this envelope are the property of the owner. Leave with the owner when installation is complete.

All images shown are for illustration purposes only. Actual product may vary due to product enhancement.

FEATURES AND OPERATION

ATTACH TO MOUNTING BAR:

1. To install the tool rack, rotate both cam levers UP, then place onto the Toolbar. See figure 1.

Note: if the Cam Lever Latches do not sit flush on the Toolbar, one of the clamp plates may not have been fully open. Simply remove the tool rack, rotate the cam levers up, and tilt the tool rack away from you to ensure the clamp plates are fully open, then reinstall on the Toolbar.

2. To secure the tool rack to the Toolbar, rotate both cam levers DOWN until they cam over.

NOTE: For additional security, the tool rack can be locked to the Toolbar by inserting a padlock through the holes in the mounting bracket where shown. See figure 1.

3. To remove the tool rack from the Toolbar, rotate both cam levers UP, then lift the tool rack.

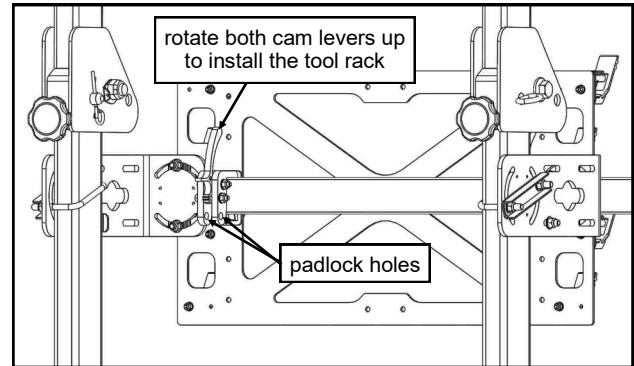


Fig. 1 (attaching the tool rack)

FEATURES AND OPERATION

1. The 8 rubber clamps are intentionally staggered so that an upper clamp does not interfere when trying to pull the rubber strap from a lower clamp up and inward onto the hooks. The end user may change the stagger pattern if so desired.
2. The cam lever latches are factory installed in the middle set of holes where shown in figure 2. At the user's discretion, the latches can be relocated to the set of holes marked "A" or "B". The entire plate assembly can also be rotated 90 degrees if preferred. In that case, utilize any set of holes provided in location "C". Note: a loose Artillian decal has been provided and should be placed at the center of the "X" so that it is legible in the desired horizontal or vertical orientation.
3. For optimal functionality, when the cam lever latches are all the way up, they ensure that the cam plates are fully retracted. The cam lever latches are factory assembled with some friction between the cam lever and the housing. This ensures the cam lever doesn't accidentally flip closed while the user attempts to install it on the bar. If the cam levers loosen up over time, simply tighten the nut and bolt that secure the lever to the housing until the desired resistance on the cam lever has been achieved.

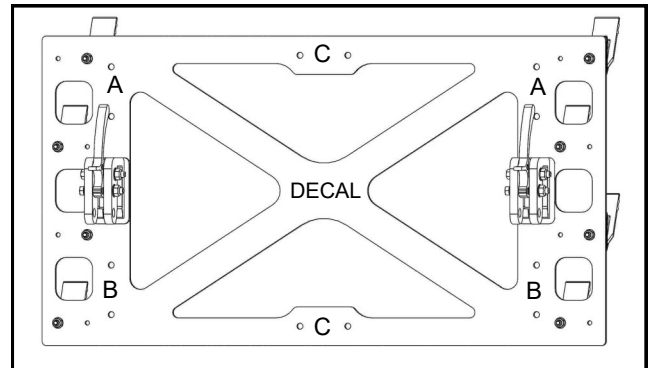


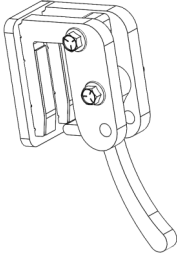
Fig. 2 (optional cam lever latch locations)



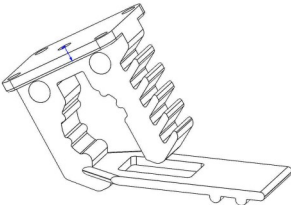
ENJOY!

SERVICE PARTS:

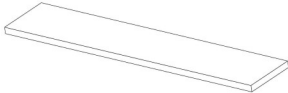
CAM LEVER LATCH
P/N: 8SV-110-00146 (QTY.: ONE)



RUBBER CLAMP
P/N: 9SV-9WL08 (QTY.: 2)

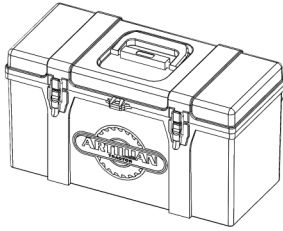


SAFETY WALK ADHESIVE STRIPS
P/N: 9SV-9PR62-375 (QTY.: 12)

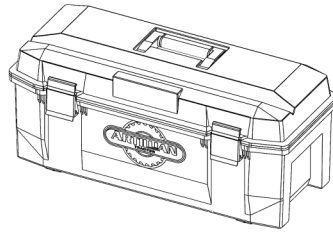


OTHER ACCESSORIES:

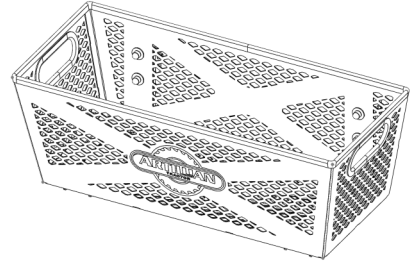
ROPS MOUNTED TOOLBOX, LARGE
P/N: 1RMTBXS



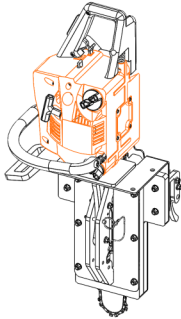
ROPS MOUNTED TOOLBOX, X-LARGE
P/N: 1RMTBXL



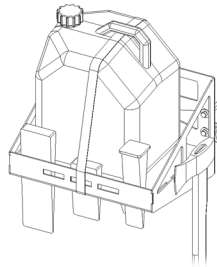
ROPS MOUNTED TOOL BASKET
P/N: 1RMTBSK



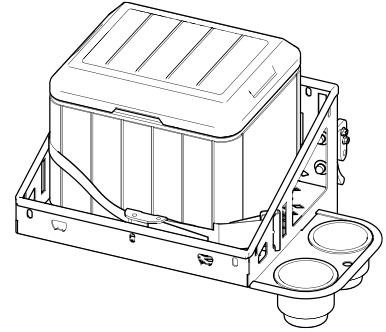
ROPS MOUNTED CHAINSAW MOUNT
P/N: 1RMCSM
(chainsaw shown for illustration purposes)



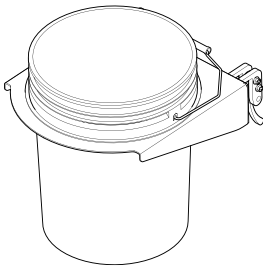
ROPS MOUNTED FUEL CAN HOLDER
P/N: 1RMFCH
(Fuel can, wedges, & maul shown for illustration purposes)



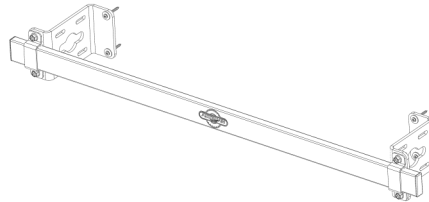
ROPS MOUNTED BEVERAGE COOLER
HOLDER - P/N: 1RMBCH
(Cooler shown for illustration purposes)



ROPS MOUNTED 5-GALLON BUCKET
HOLDER - P/N: 1RM5GBH
(Bucket shown for illustration purposes)



TOOL BAR WALL MOUNT
P/N: 1RMTBWM



MORE ACCESSORIES COMING SOON!